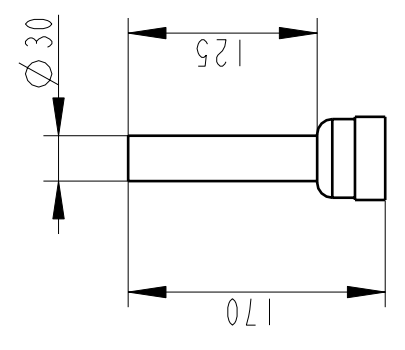
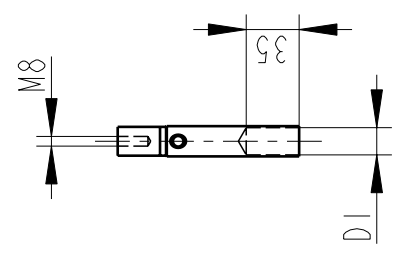


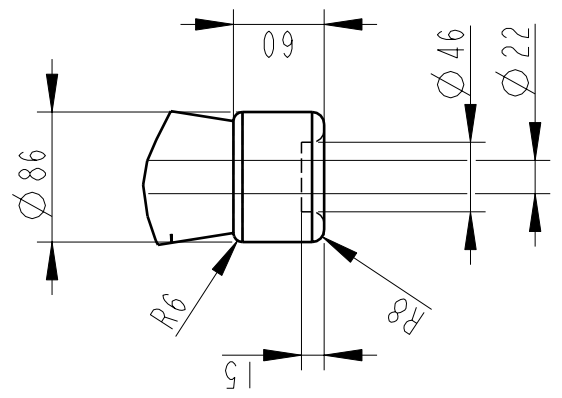
OUTER TERMINAL



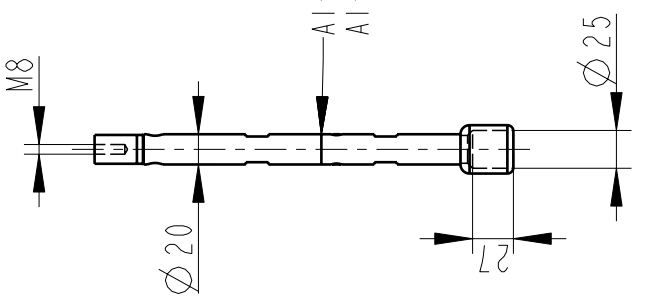
INNER TERMINAL FOR STRANDED CABLE



END SHIELD



SOLID ROD CONNECTOR



The solid rod can be divided either:
 Alt.1: 20mm below the bushing flange or
 Alt.2: 20mm below the upper end of the bottom porcelain

Bushing Data:

Rated Voltage	123	kV
Phase to Ground Voltage	90	kV
Dry Lightning Impulse 1,2/50 μ s	450	kV
Wet power frequency AC	185	kV
Routine test Imin dry 50Hz	195	kV
Rated Current	800	A
Creepage Distance	2720 \pm 80	mm
Creepage Distance Protected	1060	mm
Mass	49	kg

Ordering Data:

BUSHING	LF123149-K	COLOUR AIR INSULATOR	BROWN
	-L		LIGHT GREY
OUTER TERMINAL	LF 170 002-A		Cu, $\varnothing 30$, L=125
	LF 170 001-A		Al, $\varnothing 30$, L=125
OTHER TYPES ON REQUEST			
INNER TERMINAL FOR STRANDED CABLE			
For brazing		Conductor area	D1
LF 170 011-S		up to 150mm ²	$\varnothing 18$
LF 170 011-U		Undrilled with pilot hole $\varnothing 5$	
For crimping or brazing		Conductor area	D1
LF 170 010-M		50mm ²	$\varnothing 11$
LF 170 010-N		70mm ²	$\varnothing 13$
LF 170 010-L		95mm ²	$\varnothing 15$
SOLID ROD CONNECTOR			
LF 170 019 -BV for Alt.1			
LF 170 019 -BX for Alt.2			

ABB Components		Lumiva, Sweden	
No.	Li / Si / AC	kV	A 50/60 Hz
U	kg	L	mm
C1	pf	Tan δ	z
C2	pf	Tan δ	z

Based on	Reg. No.
Prepared	Responsible department
Lövnord	COM/BK
Approved	Take over department
Johansson	Database
Design engineering review	
Hedlund	

Title	Language
GOB 450-800-0.5	82
WITH OIL LEVEL GAUGE	Page
SHORT END SHIELD	I(1)

Document No.	2751369-203
--------------	-------------

ABB ABB Components

We reserve all rights in this document and in the information contained therein. Reproduction, use or disclosure to third parties without express authority is strictly forbidden. ©ABB